



# LABORATORY SECTOR

MICROSCOPE



## Kalstein®

A different accompaniment, at your service





# Kalstein®

A different accompaniment, at your service

OUR SERVICES

## Benefits and Support

In Kalstein France, we take care of the full satisfaction of our customers, that is why we provide value-added services of the highest level based on our experience.



### Online Inductions and Trainings

In any part of the world, receive your induction or training from our specialized team of engineers



### Quick Response

Our work team is always available to response all your consults or questions, in order to support you in any situation.



### #Letsgivemore

Thanks to your purchase, a donation will be made to a non-profit foundation that fights against breast cancer and helps most vulnerable communities.



### Technical Support

Enjoy of personalized advice for the correct preventive and corrective maintenance of your equipment, thanks to Kalstein's manuals and articles, special catalogues and video tutorials.



### Delivery Logistics

We take care of all the necessary logistics for the dispatch of your goods, whether is by sea, land or air.



### Kalstein Worldwide

With more than 25 years growing with our customers, Kalstein's multiformat and modern content, is now present in more than 10 countries and increasing.



## KALSTEIN® Microscope Metallurgical Microscope Model YR0251 // YR0252



### #Letsgivemore

Thanks to your purchase, a donation will be made to a non-profit foundation that fights against breast cancer and helps most vulnerable communities.



All rights reserved © KALSTEIN France S. A. S.,  
2 Rue Jean Lantier • 75001 Paris •  
+33 1 78 95 87 89 / +33 6 80 76 07 10 •  
<https://kalstein.eu>  
KALSTEIN FRANCE, S. A. S



## KALSTEIN® Microscope Metallurgical Microscope Model YR0251 // YR0252



### Product Description:

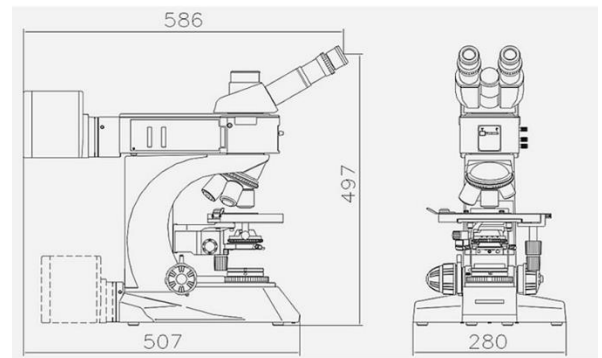
- ✓ Seidentopf trinocular Head 30° Inclined, Interpupillary 48~75mm
- ✓ Extra Wide Field Eyepiece EW10x/22mm, Eyepiece Tube Dia.30mm
- ✓ Bright Field / Dark Field Switch Knob
- ✓ Swing Condenser N.A.0.95/0.25
- ✓ Coaxial Coarse & Fine Adjustment Knob
- ✓ External Illumination, Aseptically Collector
- ✓ Halogen Lamp 6V30W
- ✓ Brightness Adjust Knob & Switch



Seidentopf Trinocular Head, 30° Inclined, Interpupillary 48~75mm  
Extra Wide Field Eyepiece EW10x/22mm, Eyepiece Tube Dia.30mm



Swing Condenser N.A.0.95/0.25  
Coaxial Coarse & Fine Adjustment Knob  
External Illumination, Aseptically Collector, Halogen Lamp 6V30W  
Brightness Adjust Knob & Switch



BF/DF Metallurgical Microscope System Size



Specimen Presser Optional

Polarizing Attachment View

Dark Field Observation System



#Letsgivemore

Thanks to your purchase, a donation will be made to a non-profit foundation that fights against breast cancer and helps most vulnerable communities.



All rights reserved © KALSTEIN France S. A. S.,  
2 Rue Jean Lantier • 75001 Paris •  
+33 1 78 95 87 89 / +33 6 80 76 07 10 •  
<https://kalstein.eu>  
KALSTEIN FRANCE, S. A. S



## KALSTEIN® Microscope Metallurgical Microscope Model YR0251 // YR0252



### Technical Specifications:

Model	YR0251	YR0252
<b>Optical System</b>	Infinity Optical System, Bright Field/Dark Field, Polarizing	
<b>Head</b>	Seidentopf Trinocular Head Inclined at 30°, Interpupillary 48-75mm	
<b>Eyepiece</b>	Extra Wide Field Eyepiece EW10x/22mm, Eyepiece Tube Dia.30mm	
<b>Nosepiece</b>	Backward Quintuple Nosepiece	
<b>Objective</b>	Infinity Plan Achromatic Objectives 5x/ 0.12/ ∞/ – (BF)	
	Infinity Plan Achromatic Objectives 10x/ 0.25/ ∞/ – (BF/DF)	
	Infinity Plan Achromatic Objectives 20x/ 0.4/ ∞/0 (BF/DF)	
	Infinity Plan Achromatic Objectives 50x/ 0.75/ ∞/0 (BF)	
	Infinity Plan Achromatic Objectives 100x/0.90/∞/0 (BF)	
	Infinity Plan Achromatic Objectives 40x/0.65/∞/0.17	
Infinity Plan Achromatic Objectives 100x/1.25/∞/0.17		0
<b>Focusing</b>	Coaxial Coarse & Fine Adjustment, Fine Focusing Precision <1µm, With Safty Stop, With Tension Adjustment	
<b>Working Stage</b>	Maximum Sample Height 30mm	
	Double Layer Mechanical Stage 186*138mm, Moving Range 74*50mm, Including:	
	–Specimen Preparation Plate	
	–Slide Glass	0
<b>Reflect Illumination</b>	24V 100W Halogen Light, Brightness Adjustable	
	Kohler Illumination With Aspherical Condenser	
	Polarizer & Analyzer, Intergrate Board For Polarizer & Analyzer	
	Blue, Green, Yellow Filter, Gound Glass	
<b>Transmit Illumination</b>	Swing-Out Condenser N.A.0.9/0.25	
	24V 100W Halogen Light With Aspherical Condenser	
	Blue Filter	0
<b>Accesories</b>		
	YR0251	YR0252
<b>Objective</b>	Infinity Plan Achromatic Objectives 40x/0.6/∞/0 (BF/DF)	YR0252-op1
	Infinity Plan Achromatic Objectives 50x/0.75/∞/0 (BF/DF)	YR0252-op2
<b>Polarizing</b>	Polarizer & Analyzer, Intergrate Board For Polarizer & Analyzer	YR0252-op3
	For Reflect Illumination	
<b>Filter</b>	Netural Filter ND25	YR0252-op4
	Netural Filter ND6	YR0252-op5
<b>Adaptor</b>	Photo Adapter, For Nikon or Canon SLR Camera	YR0252-op6
	C-Mount 1.0x	YR0252-op7
	C-Mount 0.5x	YR0252-op8
<b>Other</b>	Specimen Presser	



#Letsgivemore ❤️

Thanks to your purchase, a donation will be made to a non-profit foundation that fights against breast cancer and helps most vulnerable communities.



All rights reserved © KALSTEIN France S. A. S.,  
2 Rue Jean Lantier • 75001 Paris •  
+33 1 78 95 87 89 / +33 6 80 76 07 10 •  
<https://kalstein.eu>  
KALSTEIN FRANCE, S. A. S





 **Kalstein**<sup>®</sup>  
A different accompaniment, at your service

#LETSGIVEMORE 

**WITH THE  
ACQUISITION  
OF A KALSTEIN  
EQUIPMENT**

YOU MAKE A CONTRIBUTION TO:



**Fundación  
Jacinto Convit**

<https://www.jacintoconvit.org/>



<https://onetreepanted.org>



**Humatem**

Solidarité et coopération  
biomédicale

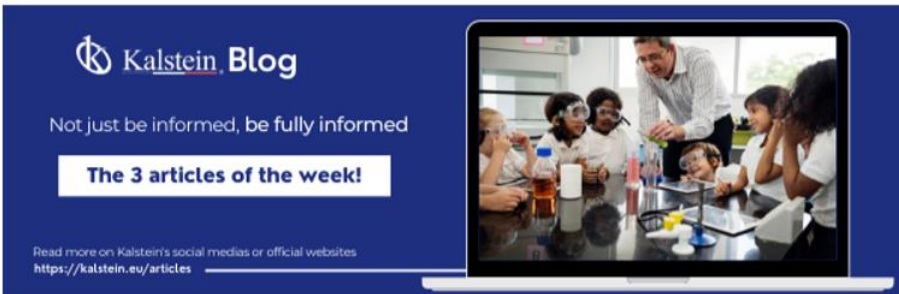
<https://www.humatem.org/>



**MANIAPURE  
FOUNDATION USA**

<https://www.maniapurefoundation.org/>

**Articles Kalstein**  
(Social Networks and Official Websites)



**Kalstein Blog**  
Not just be informed, be fully informed  
**The 3 articles of the week!**  
Read more on Kalstein's social medias or official websites  
<https://kalstein.eu/articles>



**1**  
Read this ARTICLE NOW  
**How does the climate affect your microscope?**  
Microscopes are instruments used for observing microscopic objects. This is a sensitive device that requires a controlled environment to maintain its performance.  
**Kalstein Blog**  
**Article of the week:**  
How does the climate affect your microscope?  
Read more on Kalstein's social medias or official websites  
<https://kalstein.eu/articles>



**2**  
Read this ARTICLE NOW  
**What is the importance of the laboratory refrigerator?**  
Refrigeration is a key element of the most advanced equipment that is used in laboratories. It is a controlled environment (refrigerated space), without fluctuations in temperature.  
**Kalstein Blog**  
**Article of the week:**  
What is the importance of the laboratory refrigerator?  
Read more on Kalstein's social medias or official websites  
<https://kalstein.eu/articles>

**Kalstein Training Videos**  
(Youtube Channel and Official Websites)



**Kalstein France - Jacinto Convit Foundation / Alliances**  
23 views • 3 years ago



**Kalstein's Microscopes**  
445 views • 1 week ago



PARIS - FRANCE  
**HEADQUARTER**  
2 Rue Jean Lantier  
75001 Paris - France

**Tlf:** +33 (0) 01 78 95 87 89  
**Cel:** +33 (0) 6 80 76 07 10  
[sales@kalstein.eu](mailto:sales@kalstein.eu)

<https://kalstein.eu/>  
<https://www.kalstein.fr/>

